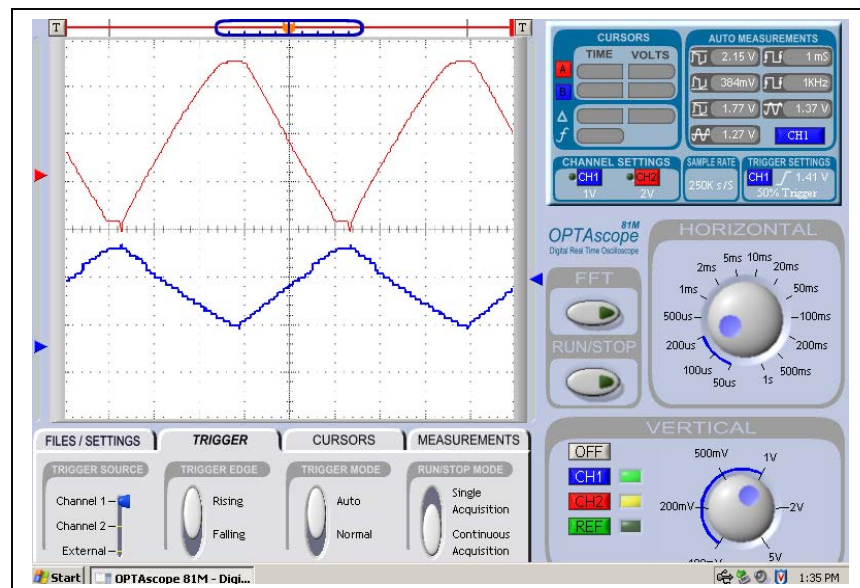
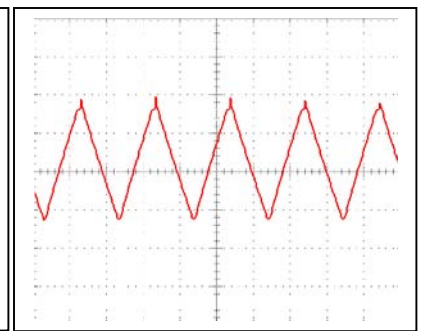
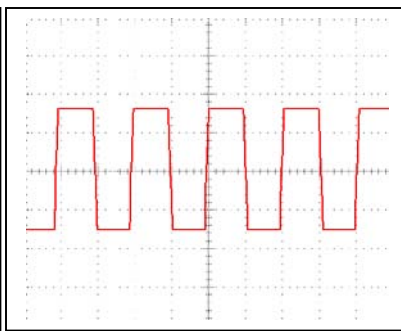
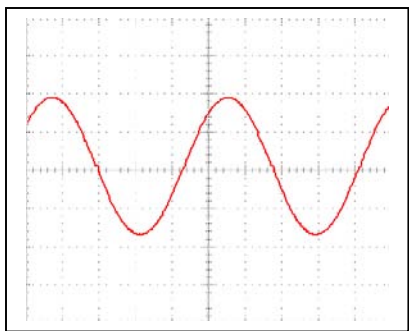
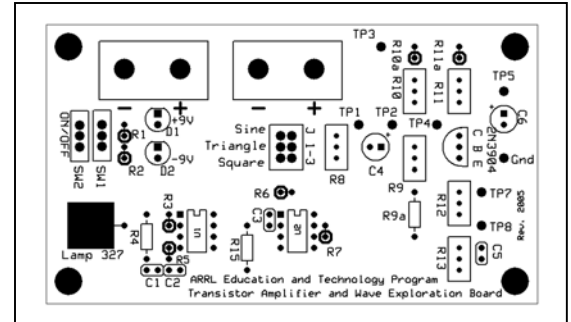
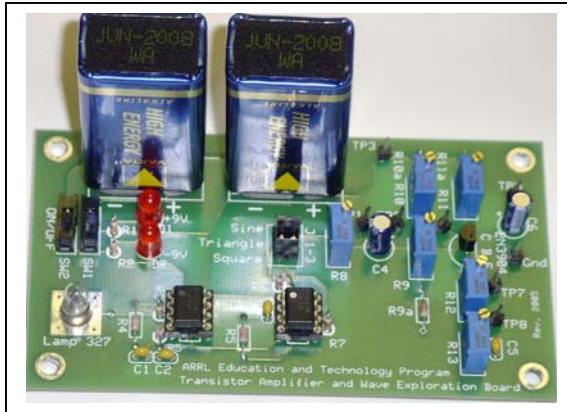
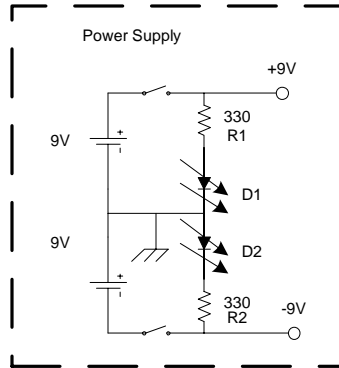
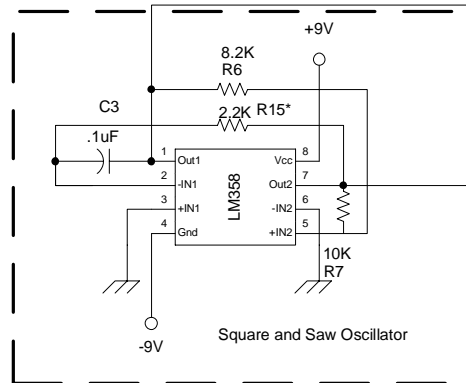
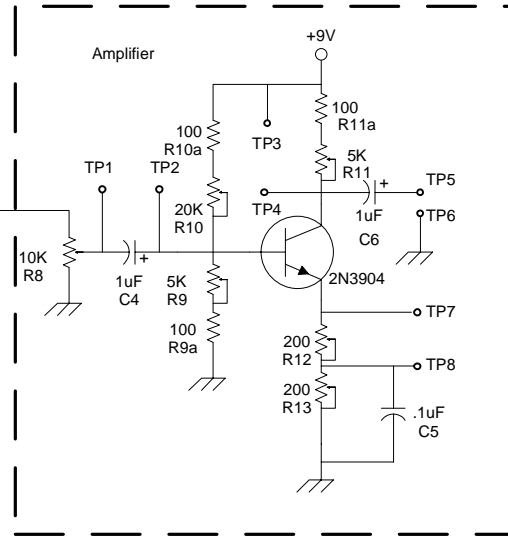
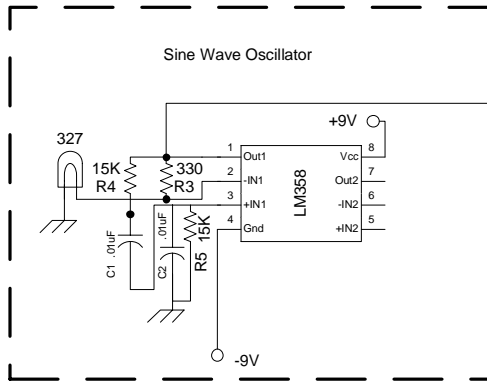


Transistor Amplifier and Waveform Exploration Board



Wave Form and Amplifier Investigation Board



*Listed as R5 on Circuit Board