

# ARRL Handbook CD

## Template File

**Title:** Boom/Headset

**Chapter:** 22

**Topic:** An Inexpensive Amplified Boom/Headset Mike

Template contains:

Parts placement diagram and PC board etching pattern.

# 95 Handbook Boom/Headset

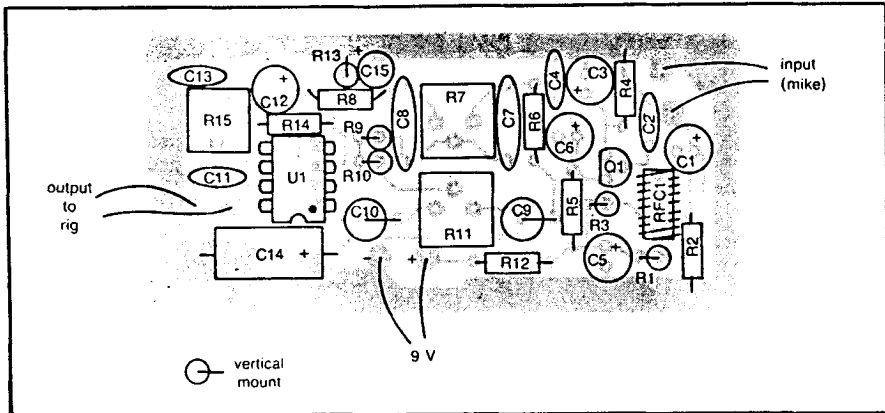


Fig 4—Parts-placement guide for the PC board. Parts are placed on the nonfoil side of the board; the shaded area represents an X-ray view of the copper pattern. Component outlines are not necessarily representative of the shapes of the actual parts used. BT1, C16, S1, S2 and S3 are external to the board.

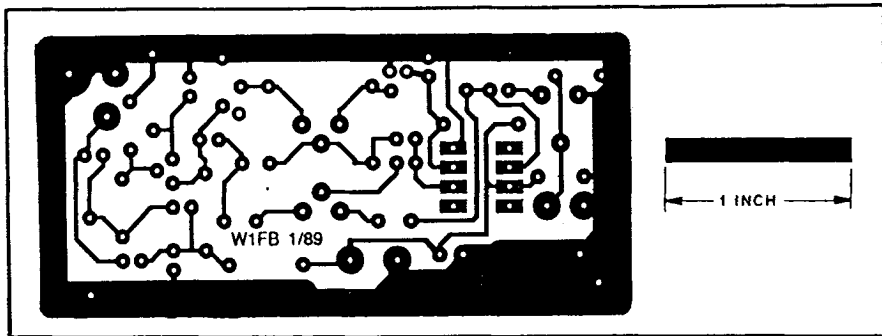


Fig 5—Circuit-board etching pattern, shown full size from the etched side of the board. Black areas represent unetched copper foil.