

2000 ARRL Handbook, Chapter 22 Corrections

Unfortunately, some errors showed up in the schematic, Fig 22.84, for "A Computer-Controlled Two-Radio Switchbox" on page 22.48 and 22.49 of the year 2000 *ARRL Handbook*. The corrected schematic is included here.

Copyright © 1999 by The American Radio Relay League, Inc.

Copyright secured under the Pan-American Convention

International Copyright secured

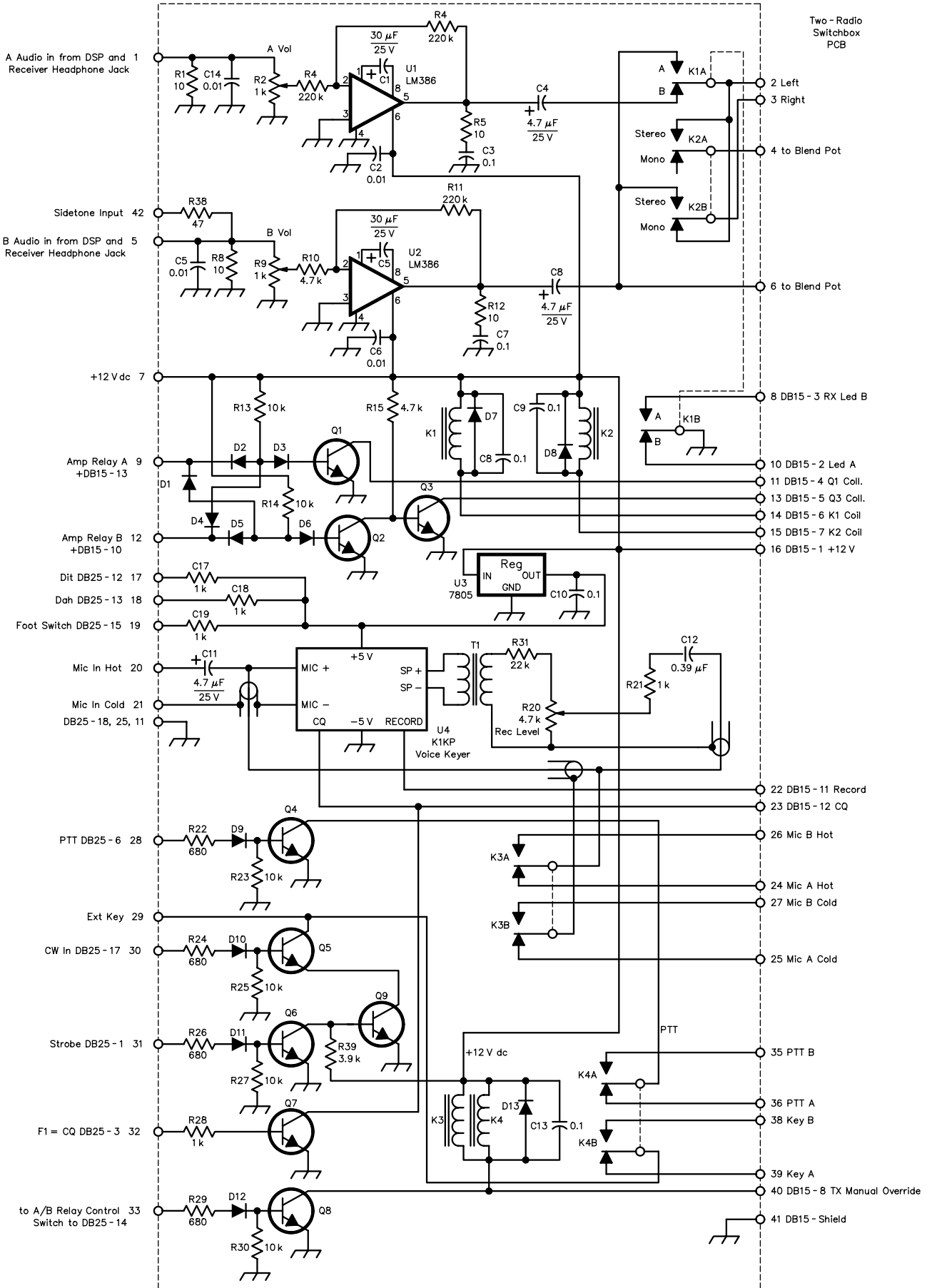
This work is Publication no. 6 of the Radio Amateur's Library, published by the League. All rights reserved. No part of this work may be reproduced in any form except by written permission of the publisher. All rights of translation are reserved.

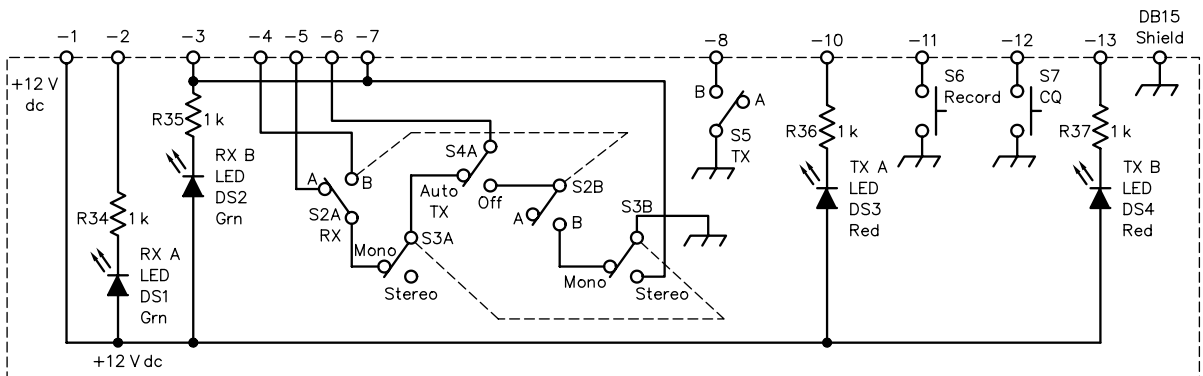
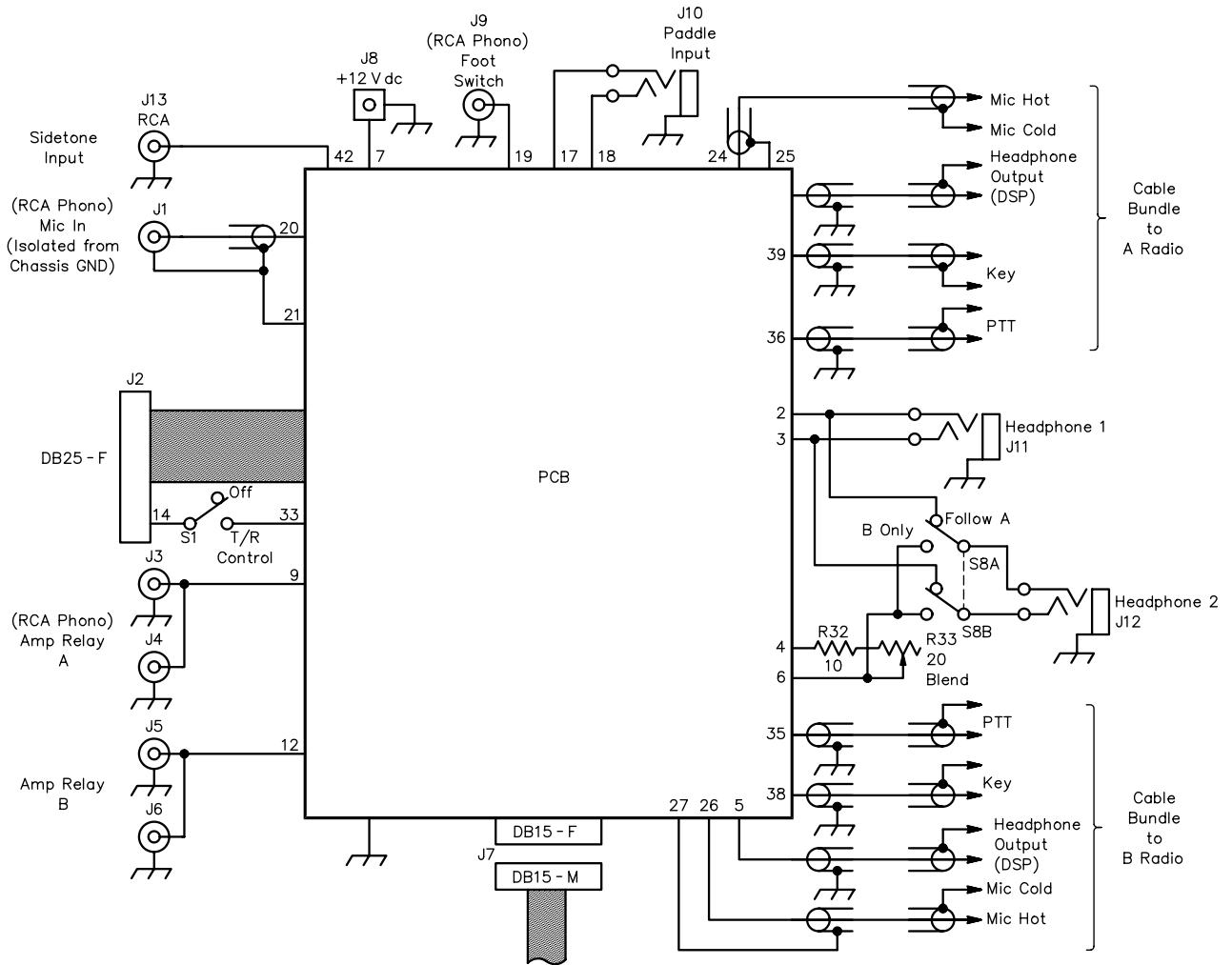
Printed in the USA

Quedan reservados todos los derechos

77th Edition

ISBN: 0-87259-183-2





Remote Head